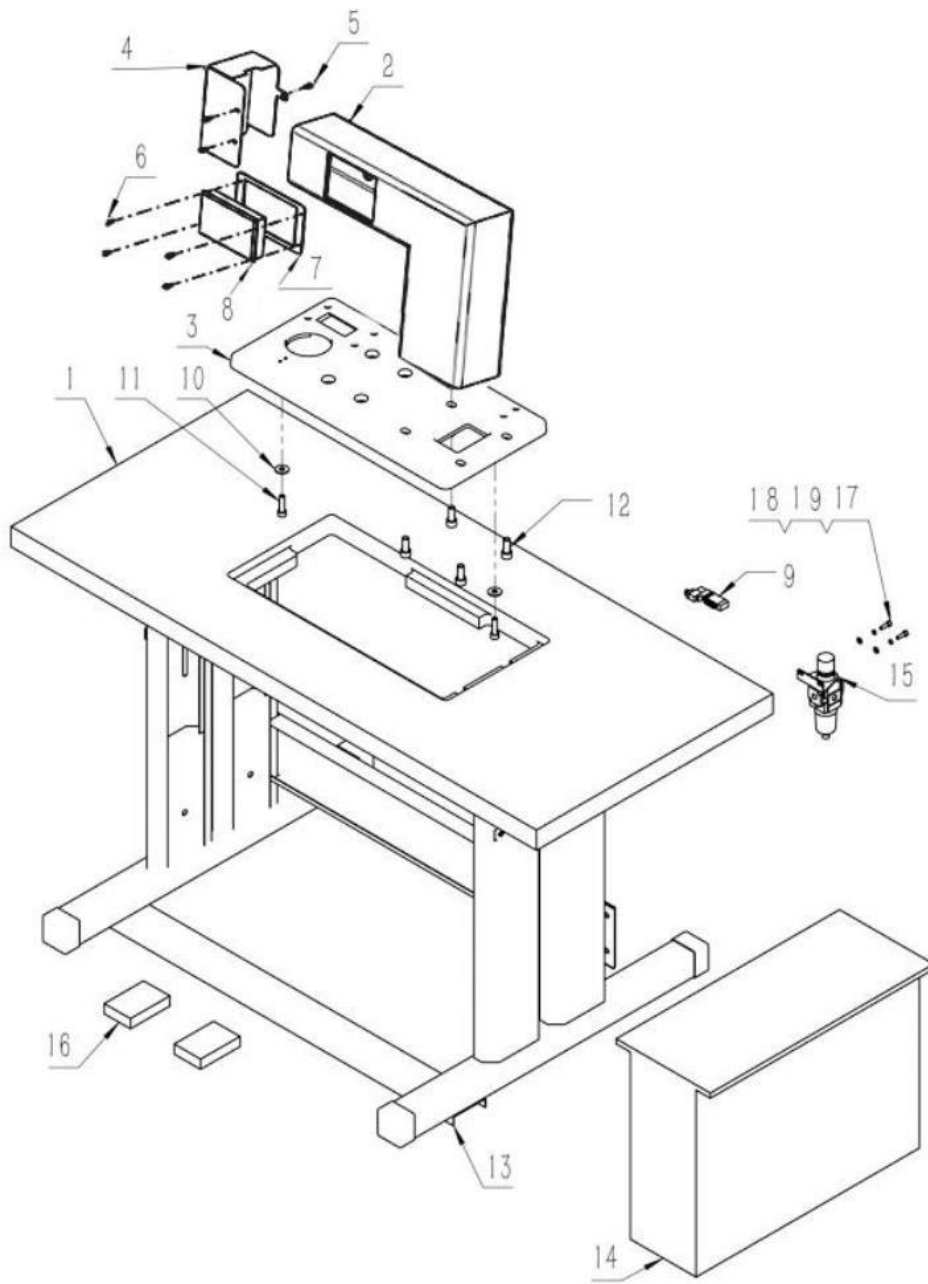


目录

1、 机架组 MACHINE FRAME COMPONENTS.....	1
2、 花轮机组件 Wheel components.....	3
3、 压辊组件 Press roller components.....	5
4、 输送辊组件 Conveying roller components.....	7
5、 转筒组件 Rotating drum components.....	9
6、 转筒附件 Rotating drum components.....	11

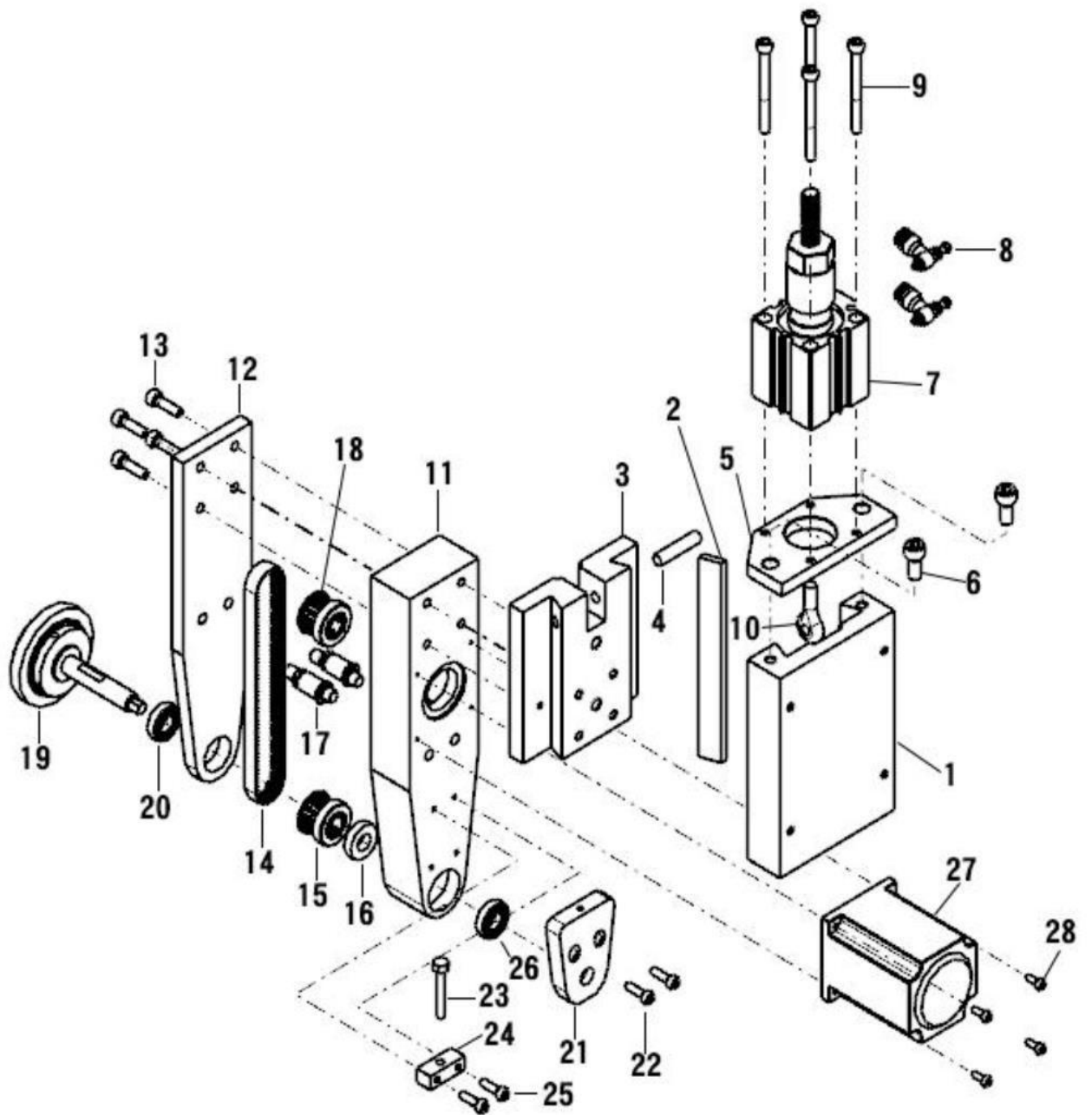
1、机架组 MACHINE FRAME COMPONENTS



机架组 MACHINE FRAME COMPONENTS

序号 /No.		名称/Description	数量 /Qty
1	50903013	台板 table	1
2	50903001	机壳 head	1
3	50903002	底板 plate	1
4	50901069	头部罩 cover	1
5	418S02090	螺钉 screw	3
6	418S02091	螺钉 screw	4
7	50903021	显示屏框 operation frame	1
8	50903022	显示屏 operation panel	1
9	50703033	电磁阀 solenoid valve	1
10	418W04037	大垫圈 8 rubber circle	2
11	418S02094	大内垫六圈圆 8 柱头螺钉 M8×30 nut	2
12	41007031	内六角圆柱头螺钉 M10×25 nut	4
13	50901012	机架 stand	1
14	418W04017	电控箱组件 control box	1
15	50902019	过滤器 filter	1
16	50902007	脚踏板 pedal	1
17	418S02090	内六角圆柱头螺钉 M5×16 hexagon screw	4
18	41007031	内六角圆柱头螺钉 M10×25	2
19	408W04037	垫片 shim	2

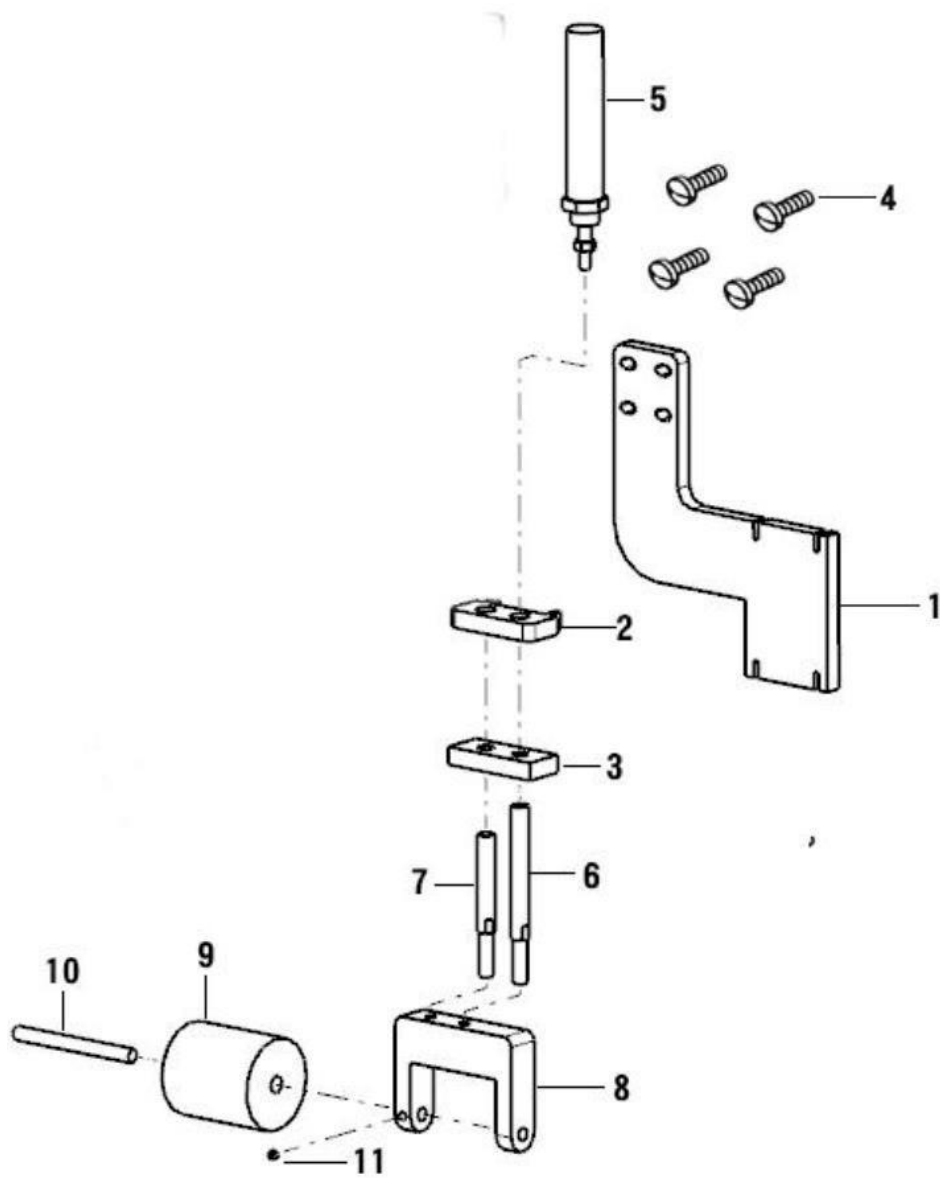
2、花轮机组件 Wheel components



花轮机组件 Wheel components

序号 /No.	图号 /PartsNo	名称/Description	数量 /Qty
1	50701040	VP-10 上下移动导轨座 the rail base	1
2	50701041	VP-10 导轨镶条 Rail trim	1
3	50701042	VP-10 导轨 Rail	1
4	50701073	VP-10 摆动板座销 Swing plate base pin	1
5	50701035	VP-10 上机构固定板 Upper mechanism fixing plate	1
6	418S02090	内六角圆柱头螺钉 M6×5 Hexagon socket head screw M6×5	2
7	50701043	VP-10 提升气缸座 cylinder base of lifting	1
8	50701091	VP-10 摆动气缸接头 Swing cylinder joint	2
9	418S04016	内六角圆柱头螺钉 M6×16Hexagon socket head screw M6×16	4
10	50703012	接头 Connector	1
11	50903006	超声波压轮座 Ultrasonic pressure wheel base	1
12	50903007	超声波压轮座盖 Ultrasonic pressure wheel base cover	1
13	418S02090	内六角圆柱头螺钉 M6×5 Hexagon socket head screw M6×5	4
14	50902017	60/70S 同步带 240L Synchronous belt 240L	1
15	50902041	60/70S 下拖布轮组件 lower fabric puller ASM	1
16	50903010	超声波压轮座轴承 Ultrasonic pressure wheel bearing	1
17	50903008	偏心轮轴 Eccentric axle	2
18	50902040	60/70S 上拖布轮 upper fabric puller wheel ASM	1
19	50902010	二代刀具 KNIFE II	1
20	50903010	超声波压轮座轴承 Ultrasonic pressure wheel bearing	1
21	50901090	偏心调节板 Eccentric adjustment plate	1
22	418S02090	内六角圆柱头螺钉 M6×5 Hexagon socket head screw M6×5	2
23	418S04016	内六角圆柱头螺 M6×16 Hexagon socket head screw M6×16	4
24	50901091	偏心调节板条 Eccentric adjustment slats	1
25	418S02090	内六角圆柱头螺钉 M6×5 Hexagon socket head screw M6×5	2
26	50903010	超声波压轮座轴承 Ultrasonic pressure wheel bearing	1
27	50701074	步进电机 stepper motor	1
28	418S02090	内六角圆柱头螺钉 M6×5 Hexagon socket head screw M6×5	4

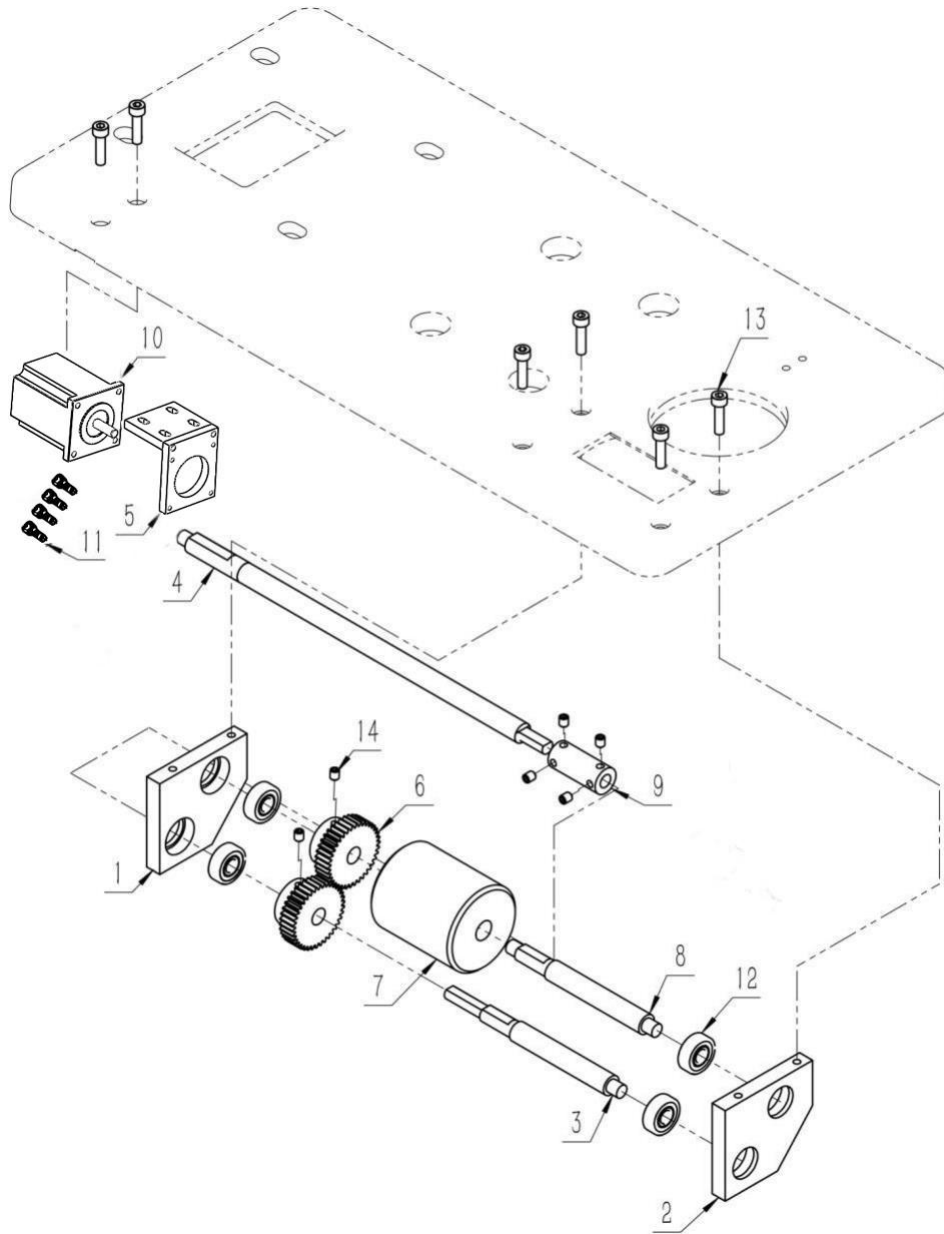
3、压辊组件 Press roller components



压辊组件 Press roller components

序号 /No.	图号 /PartsNo	名称/Description	数量 /Qty
1	50901023	拖布轮支架板 Mop wheel carrier	1
2	50901024	拖布轮上支板 Mop wheel up carrier	1
3	50901025	拖布轮下支板 Mop wheel buttom carrier	1
4	418S02090	内六角圆柱头螺钉 M6×8 Hexagon socket cylinder head screw M6×8	2
5	50701043	气缸 Cylinder	1
6	50901026	拖轮轴 Mop shaft	1
7	50901027	拖轮短轴 Mop short shaft	1
8	50901047	拖布轮架 Mop wheel carrier	2
9	50902040	拖布轮 Mop wheel	4
10	50901052	拖布轮轴 Mop shaft	1
11	418S02090	内六角圆柱头螺钉 Hexagon socket cylinder head screw	1

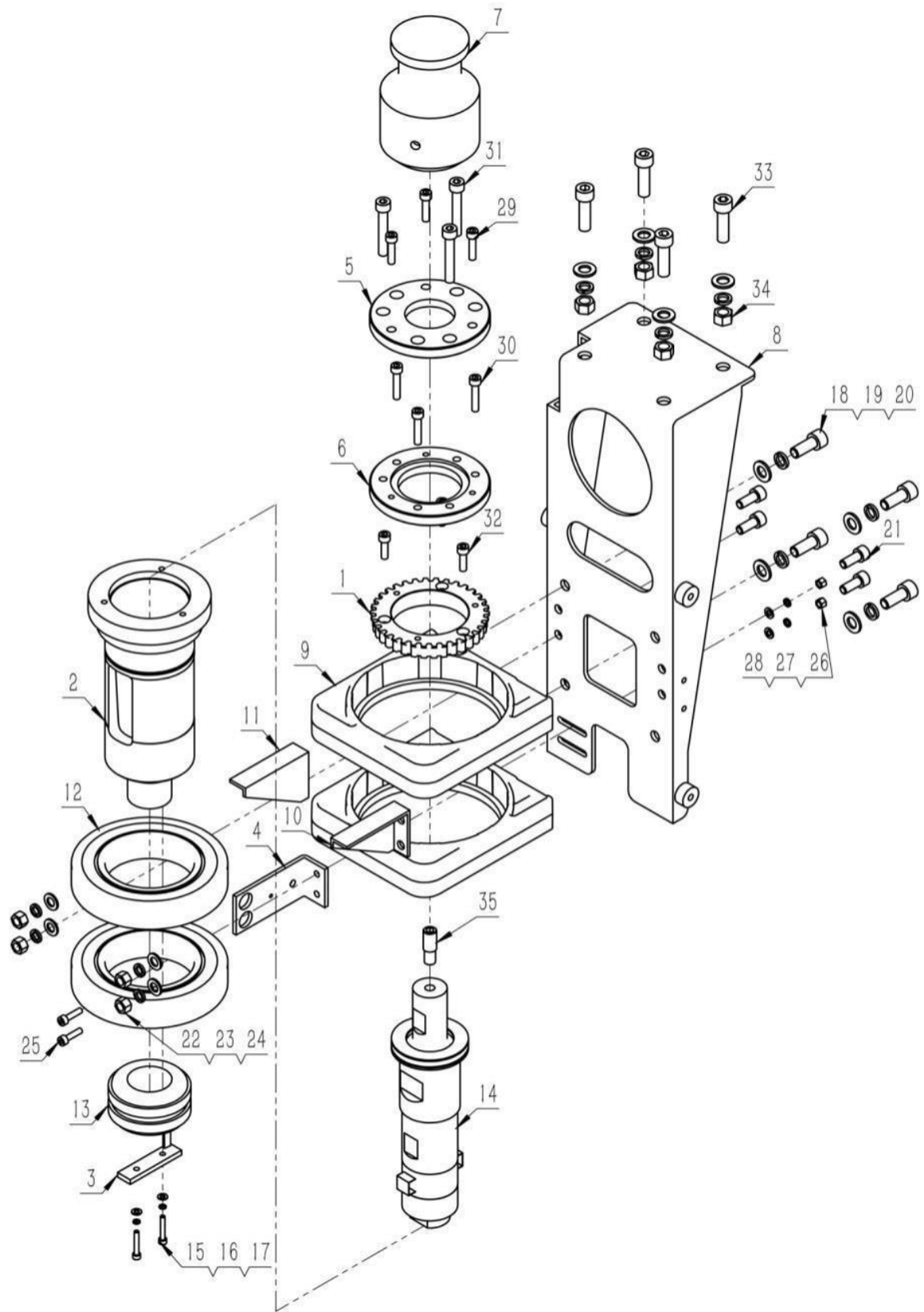
4、输送辊组件 Conveying roller components



输送辊组件 Conveying roller components

序号 /No.	图号 /PartsNo	名称/Description	数量 /Qty
1	50901045	送料左连片 feeding left	1
2	50901046	送料右连片 feeding right	1
3	50901050	传动轴 shaft	1
4	50901049	下链轴 down chain shaft	1
5	50903022	步进电机架 stepping motor frame	1
6	50901061	辊连齿轮 gear	2
7	50902041	尼龙辊 nylon roller	1
8	50902041-1	辊轴 roller	1
9	50901051	联轴器 coupling	1
10	50902067	步进电机 stepping motor	1
11	419S02090	螺钉 screw	4
12	509B02012	深沟球轴承 608-2Z bearing	4
13	418S02090	内六角圆柱头螺钉 M5×20 screw	6
14	419S10005	内六角平端紧定螺钉 M5×6 screw	7

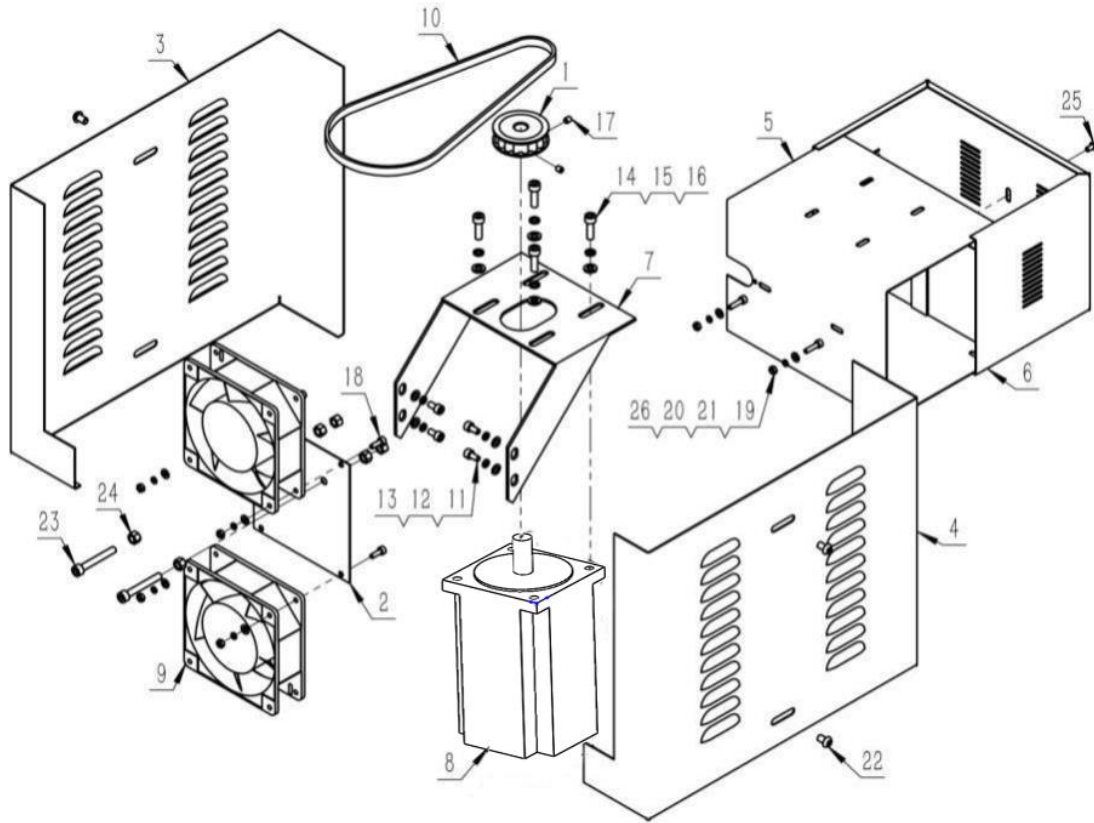
5、转筒组件 Rotating drum components



转筒组件 Rotating drum components

序号 /No.	图号 /PartsNo	名称/Description	数量 /Qty
1	50901071	大带轮 Big belt wheel 1	1
2	50901064-1	轴筒 Axis cylinder	1
3	50902023	铜环拉紧板 Copper ring tension plate	1
4	50901058	电刷安装板 Brush mounting plate	1
5	50901064-2	换能器上法兰片 Flange on transducer	1
6	50901064-3	换能器下法兰片 Lower flange of transducer	1
7	50901064-4	花轮底盘 Wheel chassis	1
8	50901075	纵向电机座 Longitudinal motor seat	1
9	50901075-1	轴承座 bearing	2
10	50901075-2	右筋 Right rib	1
11	50901075-3	左筋 The left rib	1
12	509B02025	深沟球轴承 6216-2ZBall bearing 6216-2Z	2
13	50902031	集电环 Collector ring	1
14	50901064-8	换能器组件 Transducer assembly	1
15	418S06082	内六角圆柱头螺钉 M4×25Hexagon socket head screw M4×25	2
16	418W02025	平垫圈 C 级 4×0.8 Flat gasket Class C 4×0.8	2
17	418W03002	标准型弹性垫圈(装配)4×1.1 Standard elastic washer 4×1.1	2
18	41007031	内六角圆柱头螺钉 M10×25 Hexagon socket head screw M10×25	4
19	41002023	平垫圈 C 级 10×2 Flat gasket Class C 10 x 2	8
20	41002023	标准型弹性垫圈(装配)10×2.6 Standard elastic washer 10×2.6	8
21	418S04022	内六角圆柱头螺钉 M8×20 Hexagon socket cylinder head screw M8 x 20	4
22	418N04001	1 型六角螺母 C 级 M8Hex nut, model 1, class C, M8	4
23	41002023	平垫圈 C 级 8 Flat gasket Class C 8	4
24	41002023	标准型弹性垫圈(装配)8×2.1 Standard elastic gasket 8×2.1	4
25	418S02090	内六角圆柱头螺钉 M5×20 Hexagon socket cylinder head screw M5 x 20	2
26	419N06069	1 型六角螺母 C 级 M5Hex nut, Model 1, Class C, M5	2
27	418W04017	平垫圈 C 级 5×1Flat gasket Class C 5 x 1	2
28	418W04037	标准型弹性垫圈(装配)5×1.3Standard elastic washer 5×1.3	2
29	418S02014	内六角圆柱头螺钉 M6×25Hexagon socket head screw M6 x 25	3
30	418S02094	内六角圆柱头螺钉 M6×30Hexagon socket head screw M6 x 30	3
31	418S04022	内六角圆柱头螺钉 M8×50Hexagon socket head screw M6 x 50	3
32	418S02104	内六角圆柱头螺钉 M6×20Hexagon socket head screw M6 x 20	3
33	28080246	内六角圆柱头螺钉 M10×35Hexagon socket head screw M10x35	4
34	41012066	1 型六角螺母 C 级 M10 Hexagon nut, model 1, class C, M10	4
35	50901064-9	双螺纹接头 Double threaded joint	1

6、转筒附件 Rotating drum components



转筒附件 Rotating drum components

序号 /No.	图号 /PartsNo	名称/Description	数量 /Qty
1	50901072	小带轮 small pulley	1
2	50901055	筒风扇联板 Tube fan coupling	1
3	50901060	罩壳一 Cover A	1
4	50901060-1	罩壳二 Cover B	1
5	50901065	小电箱底 Small electricity box base	1
6	50901065-1	小电箱盖 Small electricity box cover	1
7	50901059	转筒电机座 Rotary drum motor base	1
8	50902043	步进电机 Stepper motor	1
9	41012080	风扇 120x120 Fan	2
10	50902017	同步带 240L Synchronous belt	1
11	418S03030	内六角圆柱头螺钉 M5×10 Hexagon socket cylinder head screw M5×10	4
12	418W04017	平垫圈 C 级 5×1 Flat gasket Class C 5 x 1	4
13	418W04037	标准型弹性垫圈(装配)5×1.3 Standard elastic washer 5× 1.3	4
14	418S02104	内六角圆柱头螺钉 M6×20 Hexagon socket cylinder head screw M6 x 20	4
15	418W04017	平垫圈 C 级 6×1.6 Flat gasket Class C 6 x 1.6	4
16	418W04037	标准型弹性垫圈(装配)6×1.6 Standard elastic gasket 6× 1.6	4
17	419S10005	内六角平端紧定螺钉 M5×6 Hexagon socket set screw M5×6	2
18	418S02048	内六角圆柱头螺钉 M4×12 Hexagon socket head screw M4×12	4
19	419N06069	六角薄螺母 M4 Hexagon thin nut M4	6
20	418W02025	平垫圈 C 级 4×0.8 Flat gasket Class C 4× 0.8	6
21	418W03002	标准型弹性垫圈(装配)4×1.1 Standard elastic washer 4× 1.1	6
22	416S01005	内六角平圆头螺钉 M6×10 Hexagon socket head flat head screw M6 x 10	4
23	418S02094	内六角圆柱头螺钉 M6×45 Hexagon socket head screw M6 x 45	2
24		六角螺母 C 级 M6 Hexagon nut Class C M6	6
25	418S02048	内六角平圆头螺钉 M4×8 Hexagon socket head flat head screw M4×8	1
26	418S02048	内六角圆柱头螺钉 M4×16 Hexagon socket cylinder head screw M4×16	2